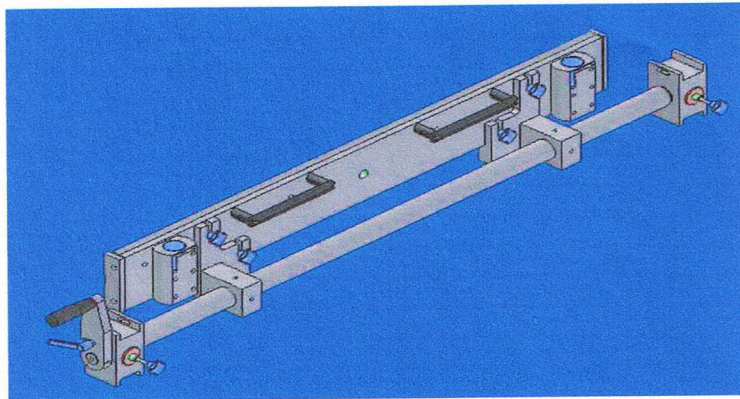


ANILOX QUICK WASH-UP SYSTEM



Anilox Metering Technology, pioneers in the development of Anilox Systems, have developed a Quick Wash-Up System that allows your Anilox Chamber to be cleaned off-line. This dramatically cuts potential cleaning time and lacquer change over on your Coating Machine from over an hour down to just 5 minutes.

Many months of research and development have gone into developing an Anilox Chamber that is both lighter and easier to manoeuvre, whilst at the same time giving the same high performance and durability of the more conventional Chamber.

The Anilox Chamber has been developed with ease of use in mind. The Anilox Chamber is Quick Release, which means that only 4 screws need to be loosened in order to remove and change the Chamber. The Chamber comes complete with handles for ease of movement.

With the Anilox System, Anilox Metering Technology will provide 2 Chambers and Trays and an Anilox Cleaning Bath, to enable 1 Chamber to be cleaned offline, whilst the second Chamber slots into its place within the Coating Machine, saving yet more time and money for your business.

As Anilox Metering Technology use only precision engineering there are no problems with the interchangeability of the 2 chambers to your coating line. It is also straightforward to attach the In-feed pipe to the Chamber and to change this between the 2 Chambers.

The switch over can be completed in as little as 5 minutes giving a massive saving on downtime compared to the current methods of change over, this gives a notable increase in both efficiency and productivity on your Coating Machine which ultimately leads to more profit for your Company. When this is added to the savings than you gain by having an Anilox Conversion on your Coating Machine the advantages of and Anilox Metering Technology Anilox Conversion are clear.

To request a quote for the Anilox Metering Technology Quick Wash-Up System or if you require any further information then please do not hesitate to get in touch with us and we will do all we can to assist you.